

# 1105470 RIOBETA 140 230V 50HZ

3235381\_1105470\_R04W - R04W (4/12/2020)



#### Access Platform Division

Via San Francesco d'Assisi, 8 - 46020 Pegognaga (Mantova) - ITALY Tel. +39 0376  
554011 - Fax +39 0376 559855

[www.imergroup.com](http://www.imergroup.com)

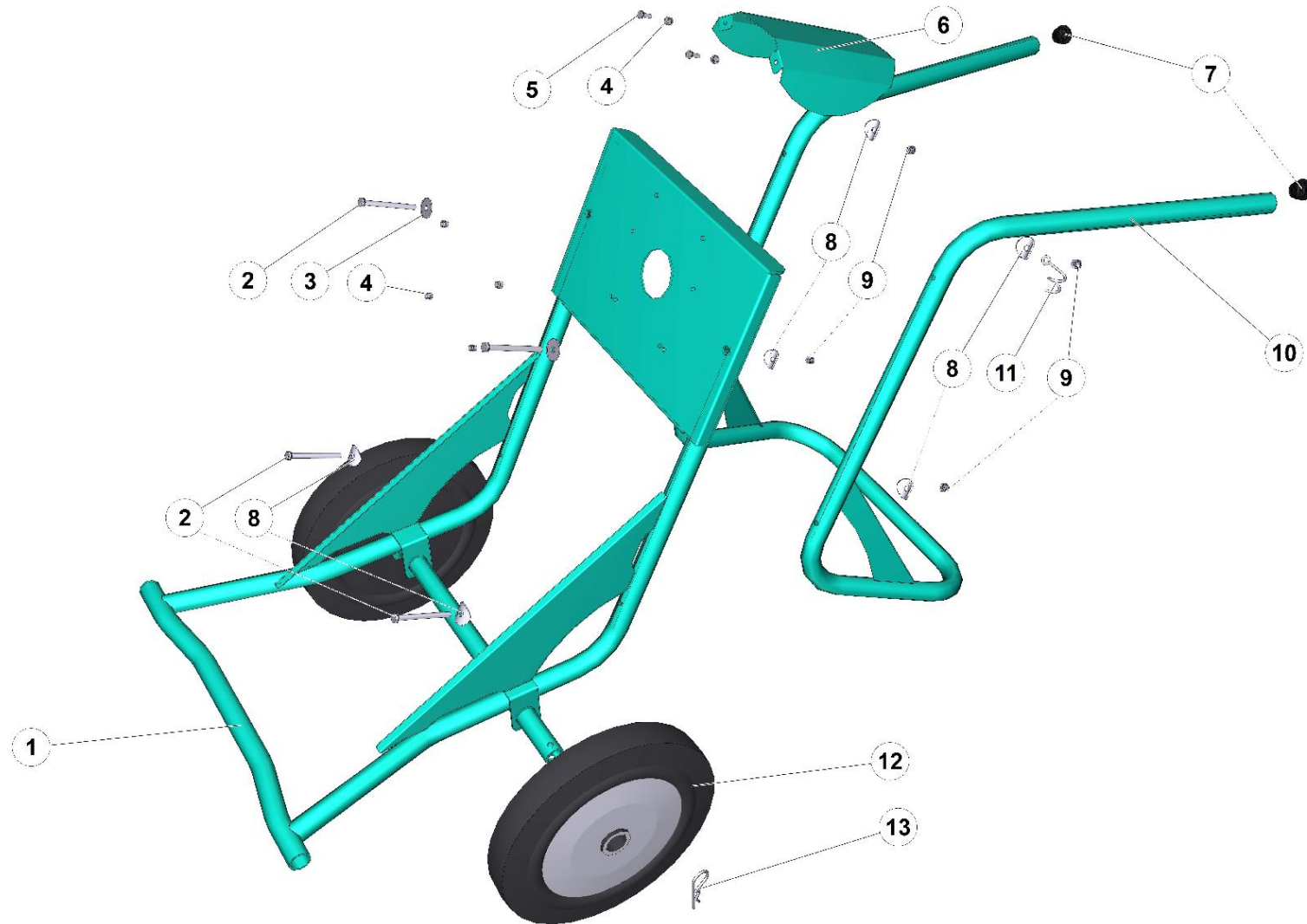
#### Building Equipment Division

Via della Meccanica, 39 (Zona Industriale Sentino) - 53040 Rapolano Terme  
(Siena) - ITALY - Tel. +39 0577 97341 - Fax +39 0577 704077

[www.imergroup.com](http://www.imergroup.com)

[www.imerglobalcustomercare.com](http://www.imerglobalcustomercare.com)

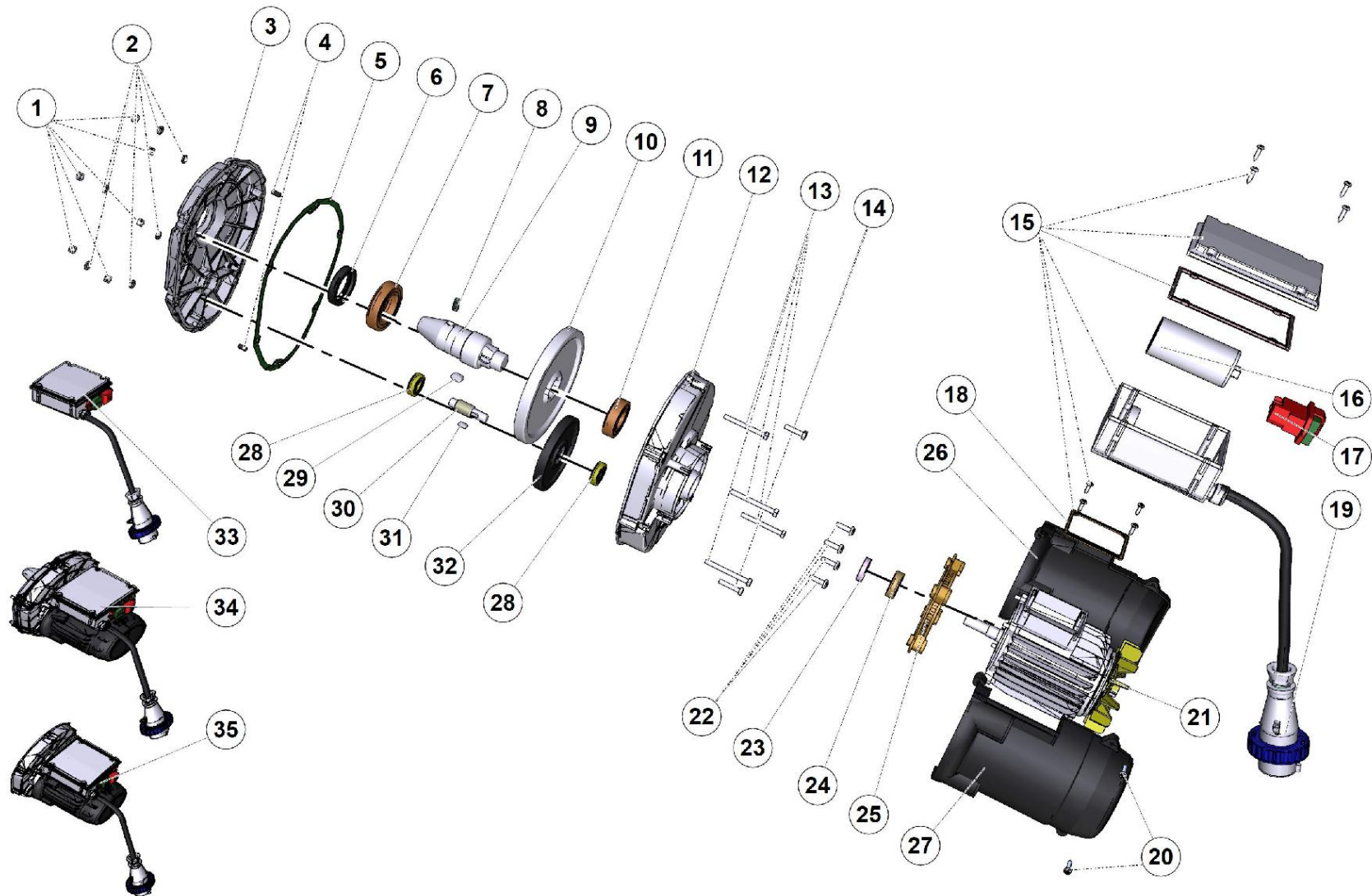
FRAME





N.	CODE	DESCRIPTION	UM	QTY
1	3235371	FRAME	PZ	1.0
2	2222114	SCREW	PZ	4.0
3	2224190	WASHER	PZ	2.0
4	2223924	NUT	PZ	6.0
5	2222002	SCREW	PZ	2.0
6	3208397	MOTOR GUARD/CONC.MIXER	PZ	1.0
7	2235457	PLUG	PZ	2.0
8	3208181		PZ	1.0
9	2223923		PZ	1.0
10	3235378	PAINTED RIOBETA SUPPORT TUBE	PZ	1.0
11	3208182	CORD GUIDE/CONC.MIXER	PZ	1.0
12	2211200	WHEELS	PZ	2.0
13	2226700	SPLIT PIN	PZ	2.0

MOTOR\_ELECTRIC\_PANEL





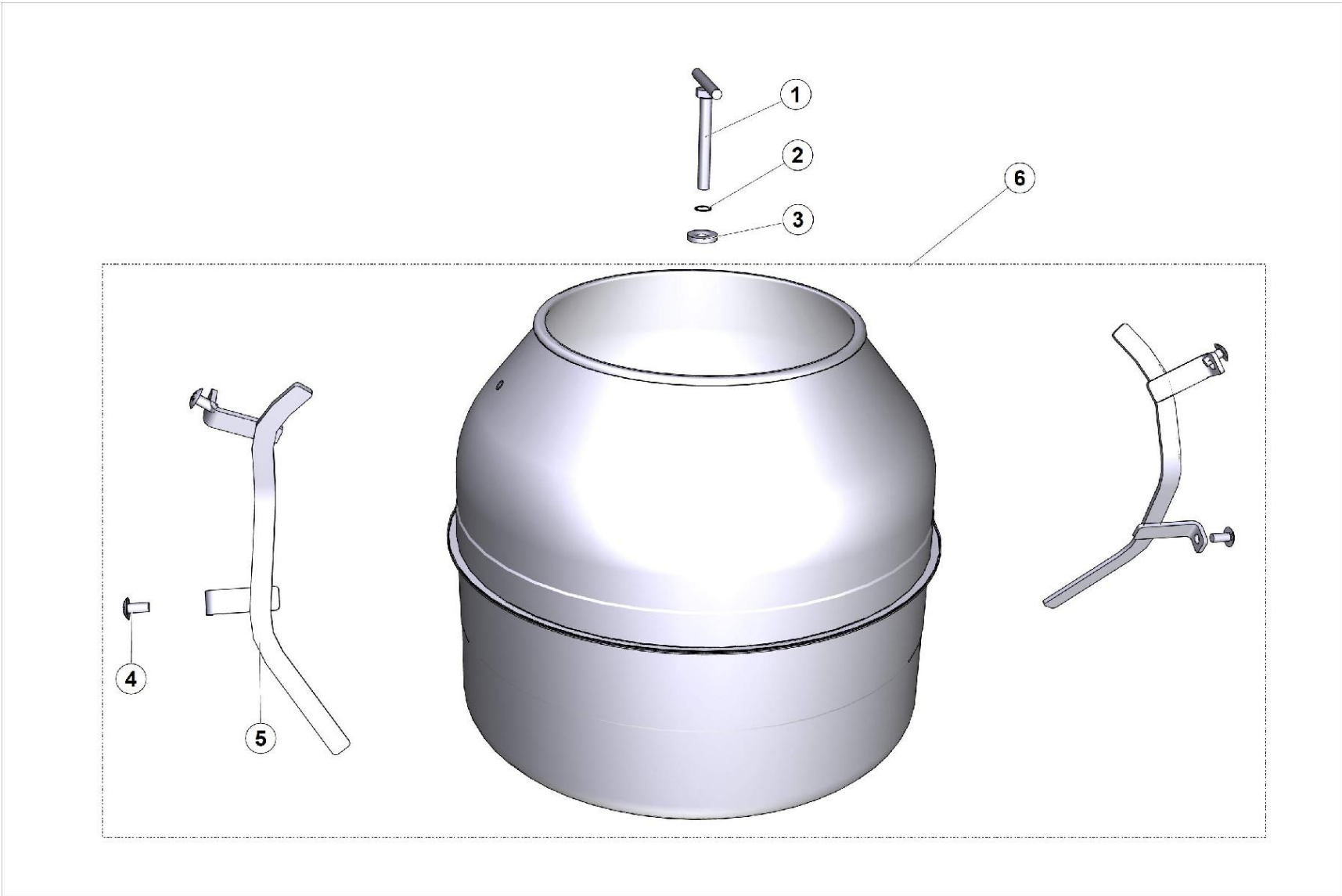
N.	CODE	DESCRIPTION	UM	QTY
1	2223280	NUT	PZ	6.0
2	2224530	ROLLER/MN	PZ	6.0
3	3210485	REDUCTION GEAR CASING	PZ	1.0
4	2228819	Gudgeon pin	PZ	2.0
5	3210482	GASKET	PZ	1.0
6	2207405	STOP RING	PZ	1.0
7	2204504	Bearing	PZ	1.0
8	2228360	PIN	PZ	1.0
9	3210481	SHAFT/CONC.MIXER	PZ	1.0
10	3210479	GEAR/MN	PZ	1.0
11	2204550	Bearing	PZ	1.0
12	3210486	REDUCTION GEAR CASING	PZ	1.0
13	2222012	SCREW	PZ	4.0
14	2222010	SCREW	PZ	2.0
15	3210909	ELECTRIC PANEL	PZ	1.0
16	3233524	CAPACITOR MPR4/F MF14 450V 68X35 FAST	PZ	1.0
17	3209337	SWITCH	PZ	1.0
18	3209214	GASKET	PZ	1.0
19	3203504	PIN	PZ	1.0
20	3210903	SCREW	PZ	2.0
21	3210904	PLASTIC FAN/MN	PZ	1.0



N.	CODE	DESCRIPTION	UM	QTY
22	3209987	SCREW	PZ	4.0
23	2207350	STOP RING	PZ	1.0
24	3208982	Bearing	PZ	1.0
25	3210488	FLANGE	PZ	1.0
26	3210490	Protection	PZ	1.0
27	3210489	Protection	PZ	1.0
28	2204420	Bearing	PZ	2.0
29	2229500	KEY	PZ	1.0
30	3210483	PINION	PZ	1.0
31	2229249	KEY	PZ	1.0
32	3210487	GEAR WHEEL/CONC.MIXER	PZ	1.0
33	3210909	ELECTRIC PANEL	PZ	1.0
34	3210493	MOTOR-REDUCTION GEAR	PZ	1.0
35	3224410	MOTOR 220V -240V-50HZ 0.30KW MB.2P.	PZ	1.0



DRUM





N.	CODE	DESCRIPTION	UM	QTY
1	2222982	T-BOLT/CONC.MIXER	PZ	1.0
2	3206800	STOP RING	PZ	1.0
3	2224428	ROLLER	PZ	1.0
4	2222193	PADDLE SCREW/MN	PZ	4.0
5	2250155	MIXING PADDLE/CONC.MIXER	PZ	2.0
6	2250719	DRUM/CONC.MIXER	PZ	1.0



**Access Platform Division**

Via San Francesco d'Assisi, 8 - 46020 Pegognaga (Mantova) - ITALY Tel. +39 0376  
554011 - Fax +39 0376 559855

[www.imergroup.com](http://www.imergroup.com)

**Building Equipment Division**

Via della Meccanica, 39 (Zona Industriale Sentino) - 53040 Rapolano Terme  
(Siena) - ITALY - Tel. +39 0577 97341 - Fax +39 0577 704077

[www.imergroup.com](http://www.imergroup.com)